

CGI-100™

GPS Synchronized Current Interrupter

The CGI-100 is now available for rent!
Please contact one of our material sales specialists located in Houston, Seattle and Medina by calling 866-CORRPRO for more details and pricing.

Description

The Corrpro CGI-100™ is a fully solid state GPS interrupter designed to exceed industry requirements for a robust interrupter. This is achieved by utilizing a neoprene thermoplastic gasket within a die-cast aluminum enclosure. The CGI-100™ combines advanced microprocessor/semiconductor technology and quality components to achieve an advanced "warm to the touch" enclosure while interrupting up to 100A of current for the cathodic protection industry.

All information is displayed on a rugged vacuum fluorescent display (VFD) which outperforms any LCD display for operating temperature extremes. The VFD display shows the operating mode, on/off times, GPS antenna status, daylight savings time status, start on/off times/status, heatsink temperature and the current local time. The CGI-100™ display also shows a unique countdown timer so that the operator is fully aware of where the CGI-100™ is within the timing cycle. The CGI-100™ does not utilize any keyboard that can fail or cause issues with sealing of the enclosure from the elements as well as preventing non-authorized personnel from adjusting the timing cycles or mode of operation.

All programming is done via a secure Bluetooth connection from almost any Bluetooth enabled PC (USB Bluetooth dongle also available) and the included software. This also allows the CGI-100™ to be installed anywhere within the rectifier in any orientation by utilizing the unique magnetic mounting feet. It allows the parameters to be altered without reopening the rectifier enclosure.

The CGI-100™ has no internal batteries to worry about replacing or charging. It is powered from the rectifier output or the AC secondary taps from the rectifier (16 to 40 volts AC/DC). The CGI-100™ can be powered from the included wall adapter allowing the CGI-100™ to be powered from any 115VAC plug. The CGI-100™ is designed to interrupt only DC currents; for AC current interruption the optional 100A relay module can be connected directly to the CGI-100™. Both the solid state and the relay module will interrupt simultaneously, allowing the possibility of interrupting two closely placed rectifiers.

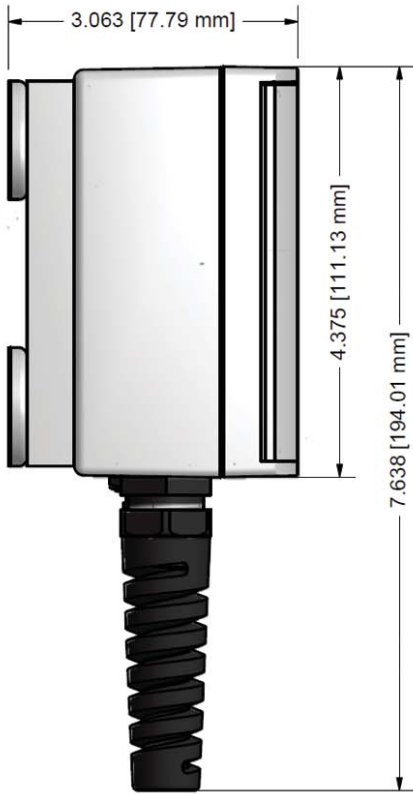
There are three modes of operation: GPS synchronized, AC line synchronized for WFA/CIS/timed modes and a non-synchronized timed mode which utilizes an onboard crystal oscillator. When using the CGI-100™ in a non-GPS synchronized mode of operation, the interruption cycle will start immediately regardless of the programmed start/stop times and will interrupt continuously, allowing the CGI-100™ to act as a standard interrupter. When the GPS antenna is connected and a valid time has been acquired the CGI-100™ will obey the programmed start/stop times.



Features

- Robust compact diecast aluminum enclosure
- Robust VFD display
- Fully solid state
- Very low temperature rise at 100A DC
- Up to 100A (DC) at 75VDC interruption capability
- Externally powered from 16 to 40 volts (AC/DC)
- Bluetooth communications
- Unique magnetic mounting base allows the unit to be mounted in almost any location/orientation
- Three modes of operation (GPS/AC-line/non-sync)
- Operating ambient: -40°C to +55°C (-40°F to 131°F)
- External relay on/off compensation
- Thermal overload shutdown
- User programmable on/off times (0.1 to 500.0 seconds)

Enclosure Dimensions



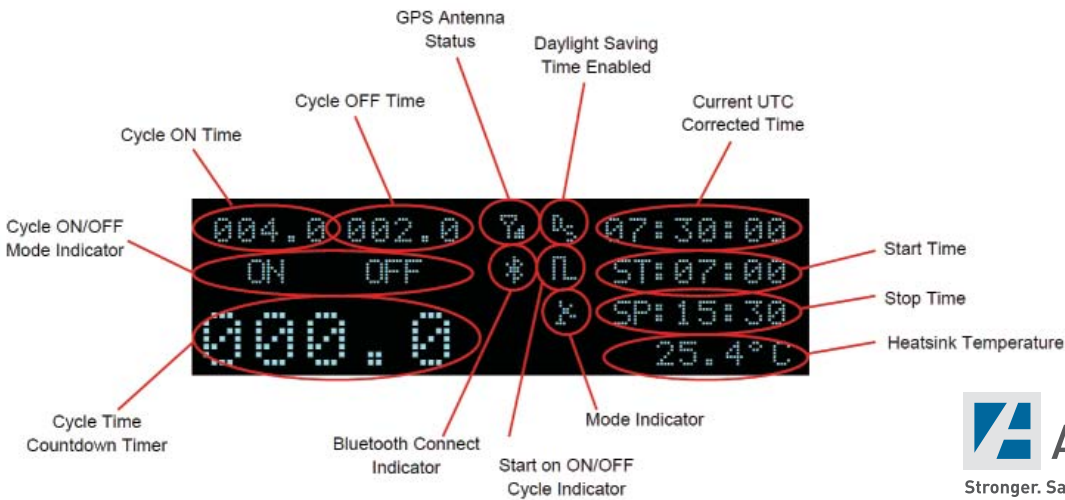
FRONT VIEW



RIGHT SIDE VIEW

Weight: Approximately 3.5 kg (7.7 pounds)

VFD Display



866.CORRPRO United States
 800.661.8390 Canada
 44.1642.614106 Europe
 966.3.802.7009 Middle East

www.corrpro.com

An ISO 9001:2008 Certified Company (U.S.)