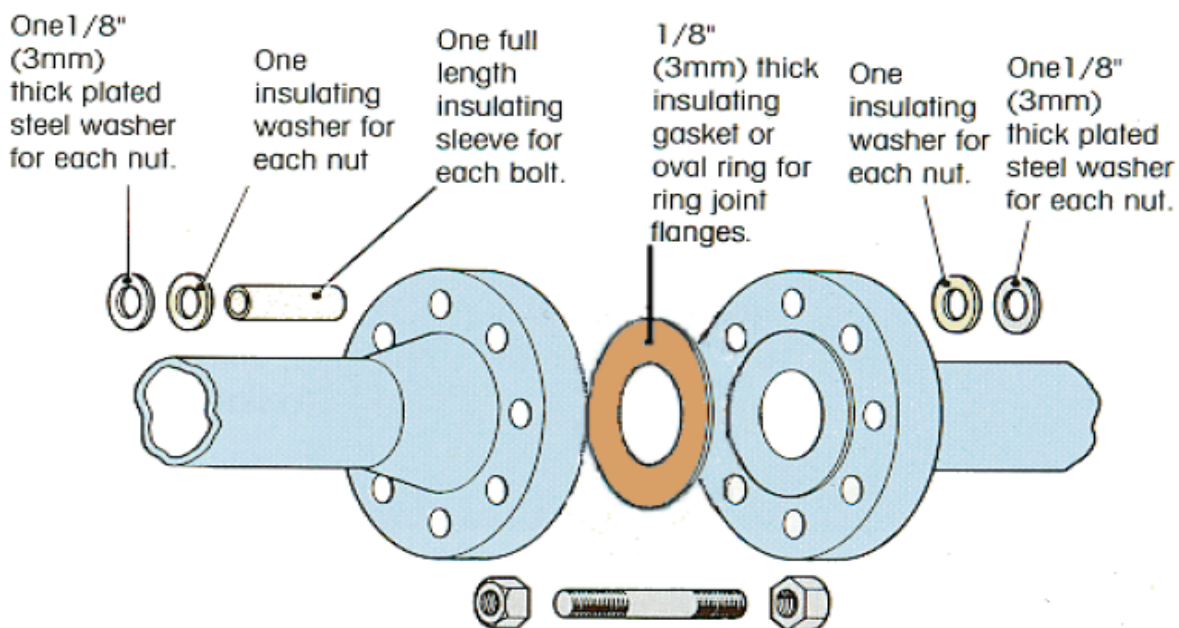


Flange Insulation Sets Data Sheet

Specialist Pipeline Materials

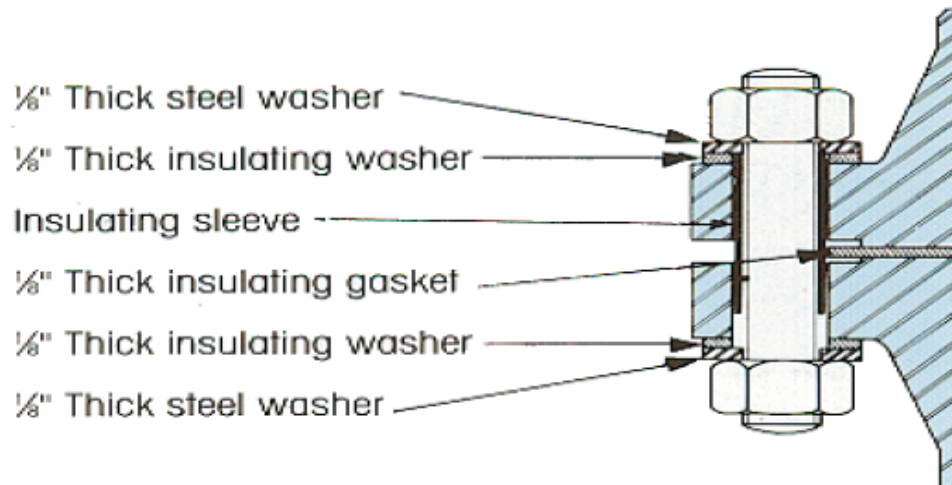
Flange Insulation Sets Specification

Corrpro Companies Europe Ltd stock Flange Insulation sets. The most common styles are Type 'F', which incorporates the use of an IBC gasket, Type 'E', which incorporates the use of a Full Face gasket, and Type 'D' which incorporates a Ring Type Joint as the insulating gasket.

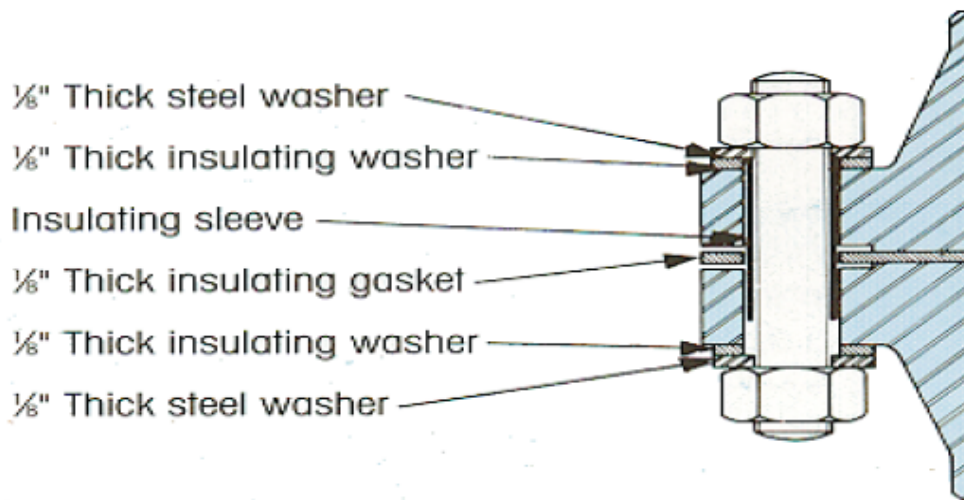


Type 'F'

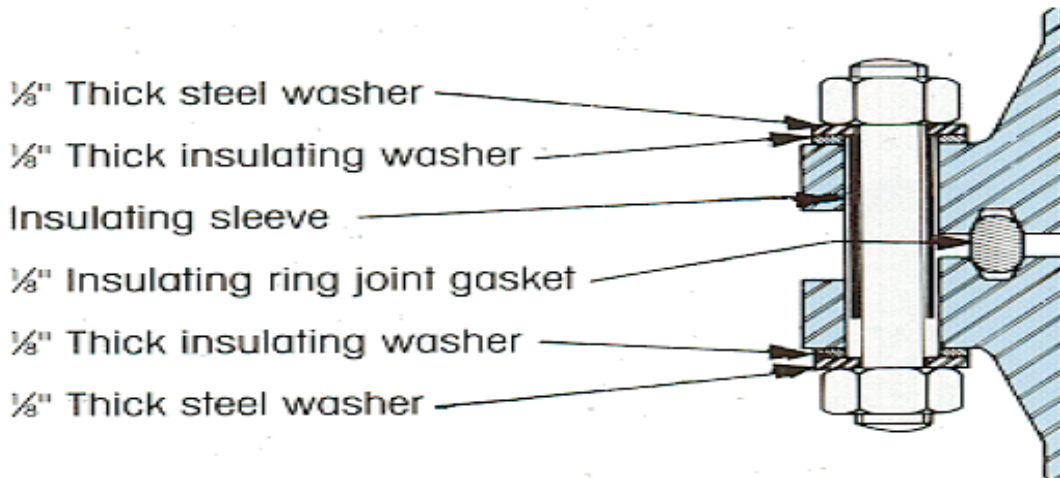
The cross sectional diagram here shows how the insulation set is assembled when using an IBC style gasket insert. You can see very clearly how the opposite flanges are totally insulated from one another.

**Type 'E'**

The cross sectional diagram here shows how the insulation set is assembled when using a full face gasket insert. Once again it is very clear to see that the flanges are totally insulated from one another.

**Type 'D'**

The cross sectional diagram here shows how the insulation set is assembled when using a Phenolic Ring Type Joint as the gasket. The oval section ring joint will fit into a standard RTJ flange ring groove.



The insulation set consists of:

- One Neoprene coated reinforced phenolic gasket, or phenolic RTJ
- One MYLAR or Phenolic sleeve per bolt.
- Two reinforced phenolic washers per bolt.
- Two Zinc Plated mild steel washers per bolt.

Variations of alternative materials for the gasket or sleeves can be supplied if requested.

For a full stock list, description & availability please visit: www.corrpro.co.uk