

# GALVANIC ANODES TECHNICAL DATA SHEET

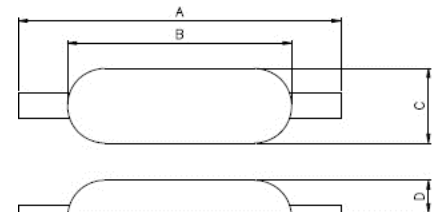
Marine Division – Galvanic Anodes Technical Data Sheet

## Aloline® and Zincoline® Hull & Tank Anodes

The standard alloy composition shown below. This has proven to be suitable for use in a wide range of environments. Other formulations or modifications to the standard alloys in respect of limits on residual elements (such as iron) can be manufactured to customer specification.

| Standard Composition                       | Aloline®     | Zincoline®     |
|--|--------------|----------------|
| Zinc                                       | 3.0 – 5.5%   | 99.314% min    |
| Aluminium                                  | Remainder    | 0.10 – 0.50%   |
| Copper                                     | 0.005% max   | 0.005% max     |
| Silicon                                    | 0.10% max    | -              |
| Iron                                       | 0.13% max    | 0.005% max     |
| Titanium                                   | 0.02% max    | -              |
| Indium                                     | 0.01 – 0.02% | -              |
| Lead                                       | -            | 0.006% max     |
| Cadmium                                    | -            | 0.025 – 0.07%  |
| Other                                      | 0.02% max    | 0.01 total max |
| Nominal Electromechanical Capacity (AH/kg) | 2500         | 780            |
| Nominal Solution Potential (mV) (Ag/AgCl)  | -1080        | -1050          |
| Density (kg/m <sup>3</sup> )               | 2710         | 7000           |

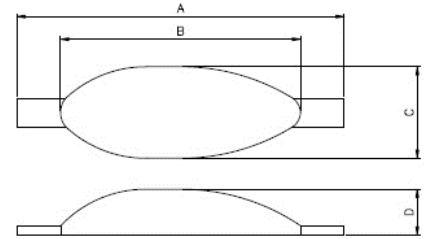
| Aloline® Anodes |      |     |     |     |             |             |              |
|-----------------|------|-----|-----|-----|-------------|-------------|--------------|
| Type            | A    | B   | C   | D   | Insert Dims | Nett Wt. Kg | Gross Wt. Kg |
| W131            | 300  | 200 | 95  | 32  | 20 x 3      | 1.2         | 1.3          |
| W130            | 350  | 270 | 150 | 32  | 40 x 6      | 2.6         | 3.2          |
| W111            | 500  | 400 | 150 | 32  | 40 x 6      | 4.0         | 5.0          |
| W114            | 650  | 550 | 130 | 50  | 40 x 6      | 8.0         | 9.2          |
| W117            | 650  | 550 | 130 | 65  | 50 x 6      | 10.1        | 11.6         |
| W119            | 650  | 550 | 130 | 75  | 50 x 6      | 12.6        | 14.1         |
| W118            | 650  | 550 | 130 | 95  | 50 x 6      | 16.5        | 18.0         |
| W124            | 1015 | 920 | 130 | 50  | 50 x 6      | 13.0        | 15.4         |
| W126            | 1015 | 920 | 130 | 75  | 50 x 6      | 21.0        | 23.4         |
| W128            | 1015 | 920 | 130 | 105 | 50 x 6      | 30.0        | 32.4         |



# GALVANIC ANODES TECHNICAL DATA SHEET

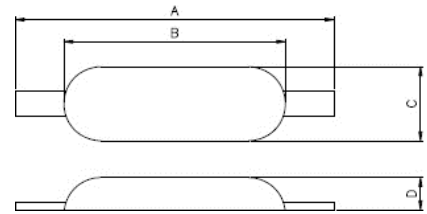
## Zincline® Anodes

| Type | A   | B   | C   | D  | Insert Dims | Nett Wt. Kg | Gross Wt. Kg |
|------|-----|-----|-----|----|-------------|-------------|--------------|
| WP0  | 200 | 120 | 40  | 25 | 10 x 3      | 0.5         | 0.55         |
| WP1  | 260 | 180 | 60  | 32 | 20 x 3      | 1.0         | 1.1          |
| WP2  | 300 | 220 | 75  | 38 | 20 x 3      | 2.15        | 2.3          |
| WP5  | 380 | 290 | 100 | 50 | 30 x 5      | 4.55        | 5.0          |
| W10Z | 400 | 280 | 150 | 75 | 40 x 6      | 10.0        | 10.7         |
| W16Z | 520 | 420 | 160 | 70 | 40 x 6      | 15.0        | 16.0         |



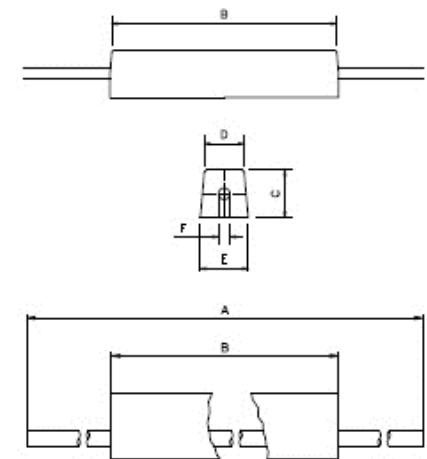
## Zincline® Anodes

| Type | A    | B   | C   | D  | Insert Dims | Nett Wt. Kg | Gross Wt. Kg |
|------|------|-----|-----|----|-------------|-------------|--------------|
| WP3  | 300  | 200 | 95  | 30 | 40 x 3      | 3.1         | 3.2          |
| WP6Z | 350  | 270 | 150 | 32 | 40 x 6      | 6.5         | 7.14         |
| W11Z | 500  | 400 | 150 | 32 | 40 x 6      | 10.8        | 11.8         |
| W14Z | 650  | 550 | 130 | 50 | 40 x 6      | 21.3        | 22.5         |
| W17Z | 650  | 550 | 130 | 65 | 50 x 6      | 25.0        | 26.5         |
| W18Z | 650  | 550 | 130 | 95 | 50 x 6      | 42.6        | 44.1         |
| W19Z | 650  | 550 | 130 | 75 | 40 x 6      | 33.0        | 34.5         |
| W24Z | 1015 | 920 | 130 | 50 | 50 x 6      | 35.0        | 37.4         |



## Aoline® Tank Aluminium Anodes

| Type | A    | B    | C  | D  | Insert Dims | Nett Wt. Kg | Gross Wt. Kg |
|------|------|------|----|----|-------------|-------------|--------------|
| W110 | 1225 | 765  | 50 | 40 | 12          | 4.2         | 5.3          |
| W115 | 1985 | 1525 | 50 | 40 | 12          | 8.4         | 10.2         |
| W156 | 765  | 305  | 70 | 50 | 12          | 3.3         | 3.8          |
| W155 | 1070 | 610  | 70 | 50 | 12          | 7.1         | 8.1          |
| W154 | 1222 | 762  | 70 | 50 | 12          | 8.7         | 10.0         |
| W153 | 1476 | 1016 | 70 | 50 | 12          | 11.6        | 13.1         |
| W152 | 1730 | 1270 | 70 | 50 | 12          | 14.5        | 16.3         |
| W151 | 1984 | 1524 | 70 | 50 | 12          | 17.3        | 19.3         |
| W196 | 765  | 305  | 95 | 75 | 12          | 5.8         | 6.5          |
| W195 | 1060 | 600  | 95 | 75 | 12          | 12.2        | 13.1         |
| W194 | 1210 | 750  | 95 | 75 | 12          | 15.0        | 16.1         |
| W193 | 1465 | 1005 | 95 | 75 | 12          | 20.2        | 21.5         |
| W192 | 1720 | 1260 | 95 | 75 | 12          | 25.4        | 26.9         |
| W191 | 1984 | 1524 | 95 | 75 | 12          | 30.9        | 32.7         |

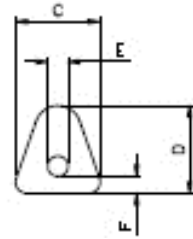


# GALVANIC ANODES TECHNICAL DATA SHEET

## Zincoline® Tank Anodes

| Type   | A    | B*   | C  | D  | Insert Dims | Nett Wt. Kg | Gross Wt. Kg |
|--------|------|------|----|----|-------------|-------------|--------------|
| WT50Z  | 1676 | 1219 | 63 | 57 | 12          | 21.0        | 22.5         |
| WT70Z  | 1676 | 1219 | 76 | 68 | 12          | 30.0        | 32.0         |
| WT90Z  | 1676 | 1219 | 82 | 78 | 12          | 40.0        | 42.0         |
| WT110Z | 1676 | 1219 | 94 | 91 | 20          | 50.0        | 54.0         |

\*Anode lengths given in this table are standard but other lengths can be supplied to order.



## Pit Guard Anodes

| Type | Material | A | B | C | Nett Wt. Kg |
|------|----------|---|---|---|-------------|
|------|----------|---|---|---|-------------|

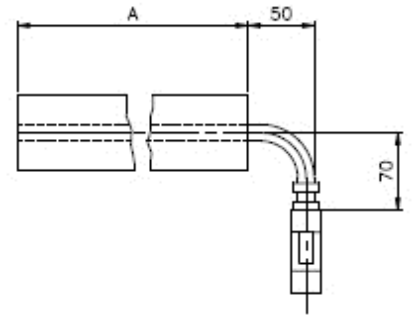
## Aloline® Anodes

|          |          |     |    |    |      |
|----------|----------|-----|----|----|------|
| AT2235   | Aloline® | 193 | 70 | 76 | 2.25 |
| AT2235/1 | Aloline® | 386 | 70 | 76 | 4.5  |
| AT2235/2 | Aloline® | 344 | 70 | 76 | 4.0  |

## Zincoline® Anodes

|        |            |     |    |    |      |
|--------|------------|-----|----|----|------|
| ZT2247 | Zincoline® | 332 | 70 | 76 | 10.0 |
|--------|------------|-----|----|----|------|

All weights in kilograms. All dimensions in millimetres.



**AEGION®**

Stronger. Safer. Infrastructure.®

**corrpro®**

Corrpro Companies Europe Limited  
 Adam Street, Bowesfield Lane,  
 Stockton-on-Tees, TS18 3 HQ  
 Telephone: +44(0)1642 614106  
 Fax: +44(0)1642 614100  
 Email: ccel@corrpro.co.uk  
 www.corrpro.co.uk

An ISO 9001:2015 Certified Company